

Specification sheet LX 1093

Roof drainage systems

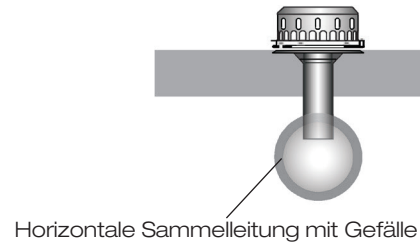
Series 84 DRAINLET[®]

Main drainage

Gravity flow

Silent Power

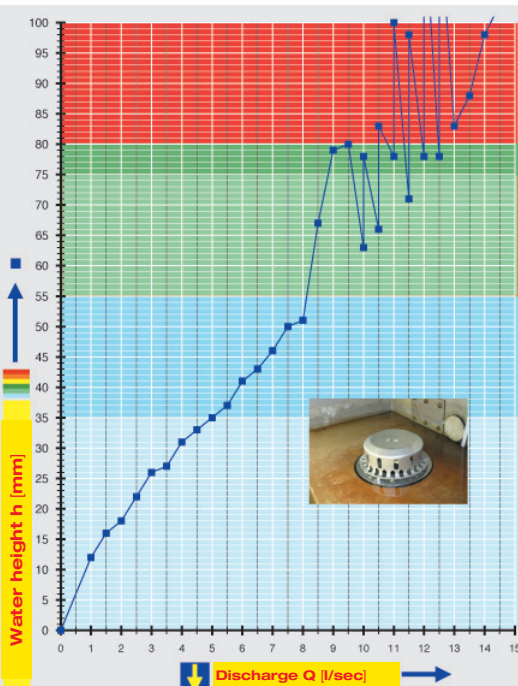
Discharge rate:	5,0 l/sec
Water height:	35 mm
Roof penetration:	-
Diameter:	DN 100
LX-Number:	LX 1093
Weir height:	0 mm
Drain:	ventilated
Downpipe:	ventilated
Downpipe height:	-
Drainage:	in sewer



LX 1093 Piece list

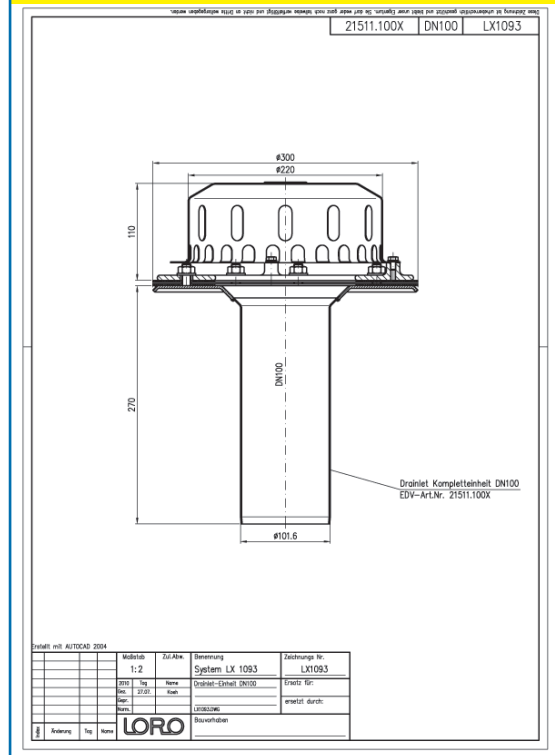
1 x Art.-No. choose drain on page two!

hQ - Head Discharge curve



Systempower

CAD



Systemshape

Water height	mm	10	15	20	25	30	35	40	45	50	55	60	65	70	75	80	85	90	95
Discharge	l/sec	0,4	0,8	3,4	2,9	3,8	5,0	5,9	6,8	7,5	8,1	8,3	8,4	8,6					
							Silent Power												

Choose drain for piece list on page one!

DN 100

without insulation

LX1093-5X

Drain Art.-No. 21511.100X

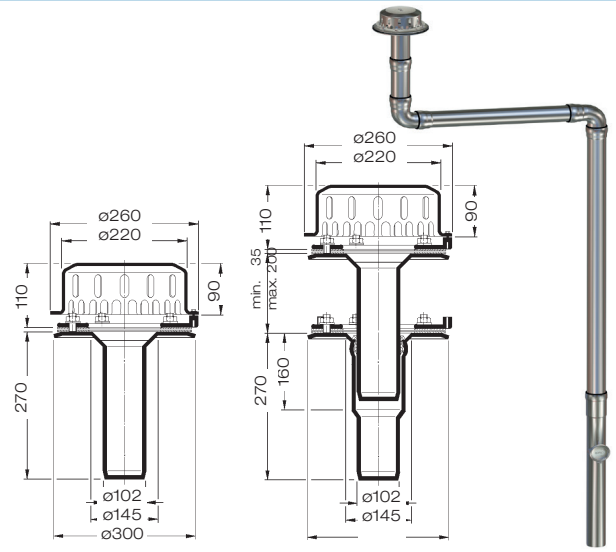
with clamping flange one-piece
for bituminous and plastic roofing sheets



LX1093-6X

Drain Art.-No. 21521.100X

with clamping flange two-piece
for bituminous and plastic roofing sheets



with insulation

LX1093-7X

Drain Art.-No. 21512.100X

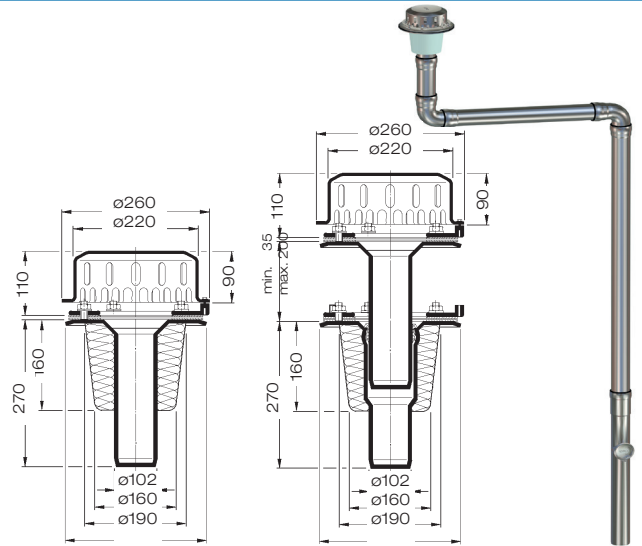
with clamping flange one-piece
for bituminous and plastic roofing sheets



LX1093-8X

Drain Art.-No. 21522.100X

with clamping flange two-piece
for bituminous and plastic roofing sheets



with insulation and heating

LX1093-9X

Drain Art.-No. 21513.100X

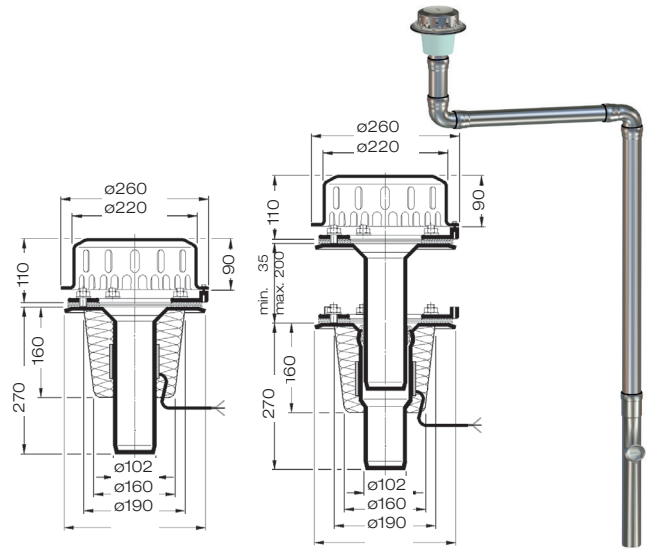
with clamping flange one-piece
for bituminous and plastic roofing sheets



LX1093-10X

Drain Art.-No. 21523.100X

with clamping flange two-piece
for bituminous and plastic roofing sheets



Heat tracing: Lorowerk recommends to check all drains and pipes with regard to their frost-sensibility. Where necessary, these parts should be upgraded with heat tracing.